

Cobolt o6-01 Series

Plug & Play | Modulatable | Continuous Wave lasers



Applications

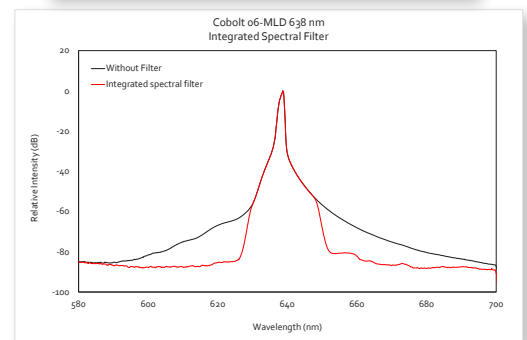
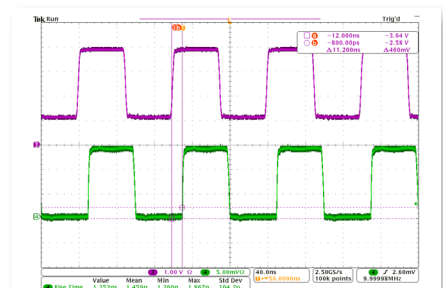
- Fluorescence Microscopy
- Optogenetics
- Flow Cytometry
- Quantum Research

- Easy-to-integrate compact and powerful laser modules
- Power up to 400 mW
- Direct intensity modulation capability: fast and deep modulation to a complete dark state from versatile input signals
- All control electronics fully integrated into laser head
- Ultra-robust design
- Integrated clean-up filter on all diode lasers
- 375 nm, 395 nm, 405 nm, 415 nm, 425nm, 445 nm, 457 nm, 473 nm, 488 nm, 505nm, 515 nm, 520 nm, 532 nm, 553 nm, 561 nm, 633 nm, 638 nm, 647 nm, 660 nm, 685 nm, 705 nm, 730 nm, 760 nm, 785 nm, 808 nm, 830 nm, 915 nm, 940 nm, 975 nm, 1064 nm

The Cobolt o6-01 Series lasers offer a compact form factor and a wide wavelength span in an industry standard plug and play format, utilizing the most ideal laser technology to achieve each wavelength while maintaining the same footprint. The Cobolt o6-01 Series consists of high performance fixed wavelength diode laser modules (MLD) and diode-pumped solid-state lasers (DPL) and offer direct intensity modulation capability, allowing fast and deep modulation from versatile input signals between 375 nm and 975 nm.

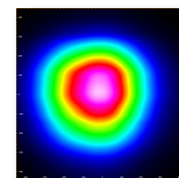
The lasers are manufactured using Cobolt's unique HTCure™ Technology to ensure world-class quality and reliability, as well as unmatched robustness. The Cobolt o6-01 Series lasers are intended for stand-alone use in laboratory environment, or for integration into laser combiners (C-FLEX) or analytical instrumentation and are ideally suited for demanding fluorescence analysis applications such as confocal microscopy and flow cytometry.

Cobolt o6- MLD
Typical Digital Modulation at 10 MHz

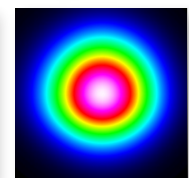


Typical Beam Profile

Typical Beam Profile



Cobolt o6-MLD
 $M^2 < 1.2$



Cobolt o6-DPL
 $M^2 < 1.1$

HÜBNER Photonics



Cobolt o6-o1 Series

Optical Performance Specifications

	375	395	405	415	425	445	457	473	488	505	515	520
Platform	o6-MLD											
Center Wavelength (nm)	375 ± 5	395 ± 5	405 ± 5	415 ± 5	425 ± 5	445 ± 5	457 ± 5	473 ± 5	488 ± 3	505 ± 3	515 ± 3	520 ± 5
Power (mW)	70	120	150 365	120	120	100 400	100 400	100 300	60 100 150 200	80	80 150	80
Beam divergence (full angle, mrad)	< 1.1			< 1.2				< 1.3				
Spectral bandwidth (FWHM)	< 1.2 nm								< 1.5 nm			
Spatial mode (TEM ₀₀)	M ² < 1.2											
Beam symmetry	> 0.90:1											
Beam diameter at aperture (µm)	700 ± 100											
Polarization ratio (vertical)	> 100:1											
Noise, 250 Hz - 2 MHz (rms)	< 0.2%											
Power stability over 8 hrs	< 1%											
Warranty	12 mo., 5000 hrs			24 months, unlimited hours								

	532	553	561	633	638	647	660	685	705	730
Platform	o6-DPL			o6-MLD						
Center Wavelength (nm)	532.1 ± 0.3	552.8 ± 0.3	561.2 ± 0.3	633 ± 3	638 ± 5	647 -1/+4	660 ± 5	685 ± 5	705 ± 10	730 ± 5
Power (mW)	25 50 100 200	25 50	25 50 100	80	180	130	100	40	30	50
Beam divergence (full angle, mrad)	< 1.2			< 1.6				< 1.75	< 1.9	
Spectral bandwidth (FWHM)	< 1 MHz			< 1.2 nm						
Spatial mode (TEM ₀₀)	M ² < 1.1			M ² < 1.2						
Beam symmetry	> 0.95:1			> 0.90:1						
Beam diameter at aperture (µm)	700 ± 70			700 ± 100						
Polarization ratio (vertical)	> 100:1									
Noise, 250 Hz - 2 MHz (rms)	< 0.3 %	< 0.25 %		< 0.2 %				< 0.5 %		< 0.2 %
Power stability over 8 hrs	< 2 %			< 1 %				< 2 %		
Warranty	24 months, unlimited hours			24 months or 5000 hours						

	760	785	808	830	915	940	975	1064
Platform	o6-MLD							
Center Wavelength (nm)	760 ± 10	785 ± 5	808 ± 5	830 ± 5	915 ± 10	940 ± 10	975 ± 5	1064 ± 10
Power (mW)	25	250	120	250	250	250	250	200
Beam divergence (full angle, mrad)	< 1.9	< 2.0	< 2.6	< 2.3	< 2.6			< 3.0
Spectral bandwidth (FWHM)	< 2 nm							
Spatial mode (TEM ₀₀)	M ² < 1.2			M ² < 1.3				
Beam symmetry	> 0.90:1							
Beam diameter at aperture (µm)	700 ± 100							
Polarization ratio (vertical)	> 100:1							
Noise, 250 Hz - 2 MHz (rms)	< 0.2 %							
Power stability over 8 hrs	< 2 %							
Warranty	24 month, 5000 hours							



WARNING
VISIBLE OR INVISIBLE
LASER RADIATION
Avoid Exposure to beam
Class 3B Laser Product
Classified per
IEC 60825-1:2014

This device is
sensitive to
Electrostatic
Discharge
(ESD).

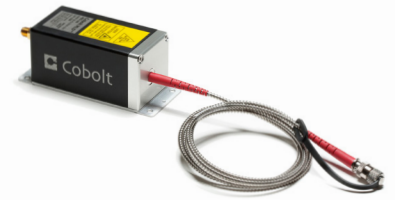
Wvl (nm)	Max.Pwr (mW)	Wvl (nm)	Max.Pwr (mW)	Wvl (nm)	Max.Pwr (mW)	Wvl (nm)	Max.Pwr (mW)	Wvl (nm)	Max.Pwr (mW)
375	200	488	300	638	200	808	200		
395	200	505	120	647	200	830	200		
405	450	515	200	660	150	915	450		
415	200	520	200	685	100	940	400		
425	200	532	400	705	100	975	400		
445	499	553	400	730	100	1064	400		
457	499	561	400	760	100				
473	450	633	120	785	499				



Cobolt o6-o1 Series

True fiber pigtailed option for o6-MLDs

The fiber pigtailed option for the Cobolt o6-MLD are delivered with the fiber permanently aligned and fixed inside the sealed package using Cobolt's proprietary HTCure™ Technology, providing stable output over a large temperature range and insensitive to transport conditions.



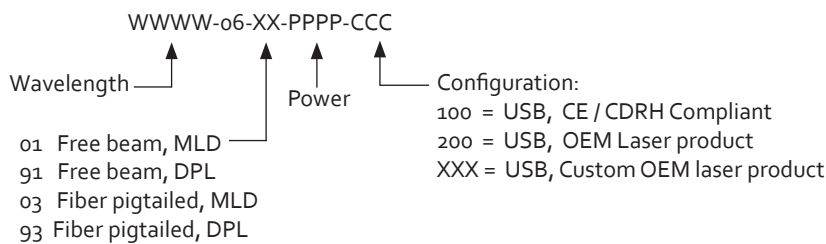
Fiber pigtailed option Specifications

Center Wavelength (nm)	375	395	405	415	425	445	457	473	488	505	515	520	532	553	561
Power (mW)	25	25	75 150	60	60	50 150	50 150	50 150	30 100*	40	40 75	40	25 50 100	25	25 40
Long-term stability (8 hrs ± 3°C)	< 3 %														
Noise, 250 Hz - 2 MHz (rms)	< 0.3 %														
Exit ferrule	End-cap (red boot)							No end-cap (green boot)							
Fiber Output	FC/APC, 8°, non-collimated														
Fiber Type	SM/PM														
Polarization	PER > 100:1, ± 2°														
Standard Fiber Length	1 m														
Jacketing	Ø 3mm, Stainless Steel														
Warranty	Laser warranty including 12 months on fiber and workmanship														

* With end-cap in standard configuration

Center Wavelength (nm)	633	638	647	660	685	705	730	760	785	808	830	915	940	975	1064
Power (mW)	40	80	60	50	20	15	20	15	100	50	100	100	75	50	75
Long-term stability (8 hrs ± 3°C)	< 3 %														
Noise, 250 Hz - 2 MHz (rms)	< 0.3 %														
Exit ferrule	No end-cap (green boot)														
Fiber Output	FC/APC, 8°, non-collimated														
Fiber Type	SM/PM														
Polarization	PER > 100:1, ± 2°														
Standard Fiber Length	1 m														
Jacketing	Ø 3mm, Stainless Steel														
Warranty	Laser warranty including 12 months on fiber and workmanship														

Model Number



Communication Interface

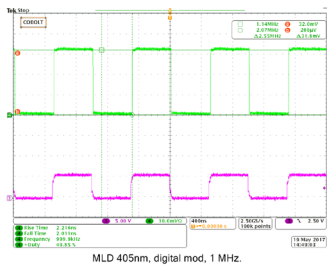
Communication	USB or RS-232
Standard Baudrate	115200

Cobolt o6-o1 Series

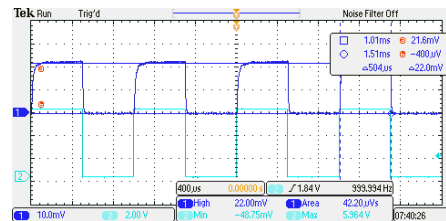
Modulation Specifications

Product	o6-MLD		o6-DPL		
Nominal Wavelength	375 - 520 nm, 633 - 1064 nm		532	553	561
Digital modulation					
Bandwidth	DC - 150 MHz		DC-50 kHz	DC-5 kHz	DC-10 kHz
Extinction ratio @10 MHz	>10 000 000 : 1 (>70dB)		--	--	--
Rise/fall time	< 2.5 ns		< 6 μs	< 60 μs	< 30 μs
Input signal	0 - 5 V, TTL				
Analog modulation					
Bandwidth	DC - 2 MHz		DC-50 kHz	DC-5 kHz	DC-10 kHz
Extinction ratio @ 250 kHz	>10 000 000 : 1 (>70dB)		--	--	--
Rise/fall time	< 300 ns		< 6 μs	< 60 μs	< 30 μs
Input signal	0 - 1 V, Arbitrary				
ON-OFF modulation					
Bandwidth	DC - 500 kHz		N/A		
Extinction ratio	inf : 1				
Rise/fall time	< 300 ns				
Input signal	0 - 5 V, TTL				

Cobolt o6-MLD
Typical Digital Modulation at 1 MHz

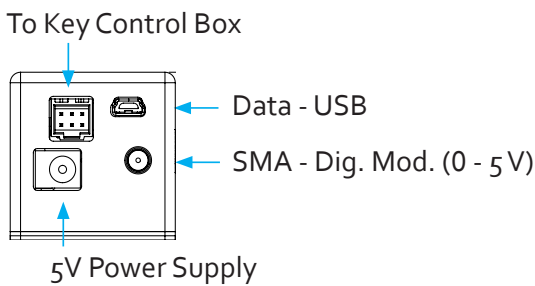


Cobolt o6- DPL
Typical Digital Modulation at 1 kHz

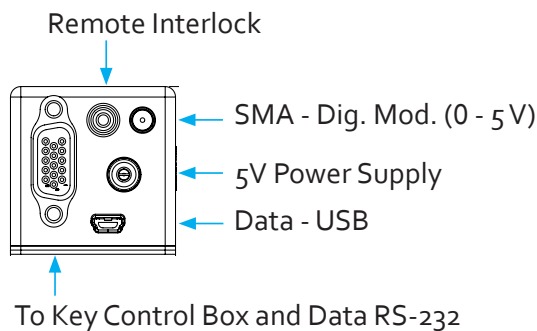


Electrical Interface

o6-DPL Laser Head



o6-MLD Laser head



Molex 6 pin - To Key control box

Pin	Function
1	Remote interlock
2	0 V – Ground
3	Analog Modulation (0 - 1 V) -OR- Direct On/Off (+5 V Input)
4	Key Switch
5	LED 1 (Laser On)
6	LED 2 (Error)

VGA 15 pin - To Key control box

Pin	Function
1	LED1 (Laser on)
2	LED2 (Error)
3	Analog modulation (0 - 1 V)
4	0 V (ref)
5	Key Switch
6	Remote interlock
7	RS-232 TX
8	RS-232 RX
9	Spare
10	0 V GND (ref pin 15)
11	On / Off Modulation
12	Not used
13	Not used
14	Not used
15	+5V to keybox

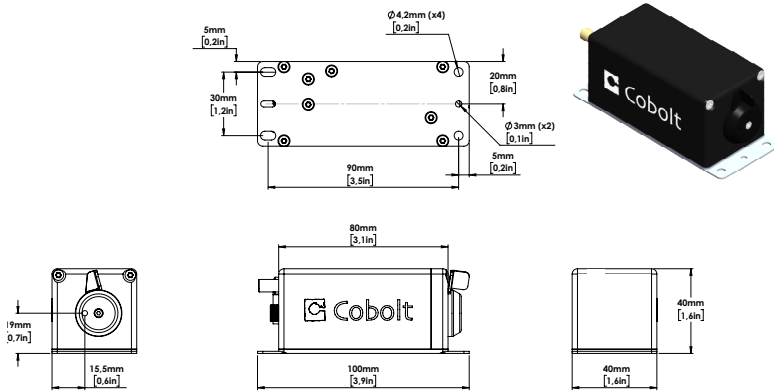
Cobolt o6-o1 Series

Operational Environment

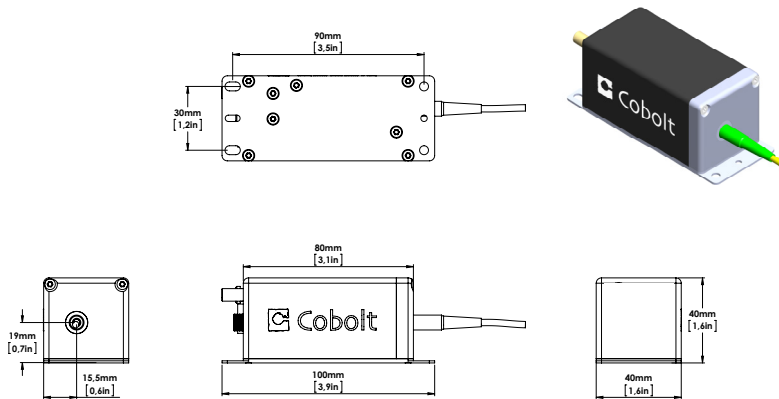
Product	o6 - MLD	o6 - DPL
Power supply requirements	5 VDC, 3 A	5 VDC, 5 A
Intended use environment	Laboratory (indoor)	
Maximum baseplate temperature	50 °C	
Ambient temperature, pointing	< 5 μrad / °C	
Ambient temperature, operation	10 - 40°C	
Ambient temperature, storage	-10 to +60°C	
Humidity	0-90% RH non-condensing	
Ambient Air pressure	950-1050 mbar	
Laser Head heat sink thermal impedance (at 40°C ambient)	< 0.8 K/W	< 0.5 K/W
Maximum heat dissipation of Laser Head	< 12 W	< 20 W

Mechanical Specifications

Laser head dimensions



Fiber pigtailed laser head dimensions : o6-o3



Key control box dimensions



Cobolt o6-o1 Series

Options and Accessories

- C-FLEX Laser Combiner
- Laser head heatsink HS-03
- Fiber coupled mounting plate FIC-05
- 2 - to 1 Laser combiner for optogenetics



C-FLEX Laser Combiner



Heatsink HS-03



2-to-1 Laser combiner for optogenetics
Cobolt o6-MLD with Cobolt o4-o1 series



2-to-1 Laser combiner for optogenetics
Two Cobolt o6-MLDs

Our Locations

Cobolt AB
(Sales in Norway, Sweden, Finland and Denmark)
Solna, Sweden
Phone: +46 8 545 912 30
Fax: +46 8 545 912 31
E-mail: info@coboltlasers.com

HÜBNER Photonics GmbH
(Sales in Germany, Switzerland and Austria)
Kassel, Germany
Phone: +49 561 994 060-0
Fax: +49 561 994 060-13
E-mail: info.de@hubner-photonics.com

HÜBNER Photonics Inc.
(Sales in USA, Canada and Mexico)
San Jose, California, USA
Phone: +1 (408) 708 4351
Fax: +1 (408) 490 2774
E-mail: info.usa@hubner-photonics.com

HÜBNER Photonics UK
(Sales in UK and Ireland)

United Kingdom
Phone: +44 7359 440 871
E-mail: info.uk@hubner-photonics.com

www.hubner-photonics.com

Find local sales representatives:

Australia, Benelux, Brazil, China, Estonia, Latvia, Lithuania, France, India, Israel, Italy, Japan, Poland, Russia, Belarus, Singapore, Malaysia, Thailand, South Korea, Spain and Portugal, Taiwan

